



# POWER YOUR FUTURE

## Evopower Generators

- Cummins diesel engines
- UK Specification
- Deepsea control panels
- Varta batteries
- CHiNT Breakers
- Rust proofed weather proof canopies
- Heavy duty base skids with forklift & lifting eyes
- 2 years Engine warranty\*
- 3 years Genpower alternator warranty\*
- 3 years interest free credit available\*



Evopower Series – Powered By Cummins

## Technical Data: Model UKC125ECO

### Evopower Generator

Prime Power	113kVA / 90kW
Standby Power	125kVA / 99kW
Voltage Line To Line	400V
Current Per Phase (Prime)	163A
Current Per Phase (Standby)	180A
Sound Level	70dB @7m

### Engine – DCEC Cummins

Model	6BT5.9-G2
Aspiration	Turbo
Fuel System	ADType
No. Cylinders	6
Displacement	5.9L
Bore*Stroke	102*120mm
Compression Ratio	17.5
Rated Speed	1500r/min
Net Power - prime	96kW
Governor Type	Electrical
Starter Motor	24V

### Exhaust System

Exhaust Gas Flow	116.8m <sup>3</sup> /min
Exhaust Gas Temp.	565°C
Max. Back Pressure	10kPa

### Aspiration System

Max. Inlet Pressure	6.35kPa
Combustion Volume	6.48m <sup>3</sup> /min
Air Flow	158m <sup>3</sup> /min

### Fuel System

100% Load (Prime Power)	22L/h
75% Load (Prime Power)	17L/h
50% Load (Prime Power)	11L/h
Fuel Tank Capacity	227L

### Lubrication System

Oil Capacity	16.4L
Oil Pressure (Continuous Operation)	345kPa

### Cooling System

Thermostat Operation Range	82-95°C
Max. Water Temperature	104°C

### Alternator

Model	Genpower	LK274D
	Optional: Stamford	UC1274D
Phase		3
Voltage		400/230V
Wiring Type		3 Phase 4 Wire, Y Type
Bearing		1
Power Factor		0.8
Frequency		50Hz
Exciter Type		Brushless, Self-Excitation
Voltage Regulation		±0.5%
Protection Grade		IP 23
Insulation Grade		H/H
Altitude		≤1000m

### Controller - DEEPSEA

Model	DSE6120
-------	---------

#### Protective Functions:

- Low Oil Pressure
- High Water Temperature
- High/Low Voltage
- High Engine Temperature And Overspeed
- Voltage Regulator Frequency Regulator
- Emergency Stop
- Start Failure



### Control Module Options



- Auto Generator Control Module
- Control Module With "Remote Control" Functions
- ATS Auto Load Transfer Screen
- Synchronising Control Modules
- Power Output Cabinet

# Technical Data: Model UKC125ECO

## Standard Features

- Engine (DCEC Cummins)
- Radiator 50°C Max, engine driven fan
- 24V charge alternator
- Main Alternator: Single bearing alternator IP23, insulation class H/H
- Deep Sea standard auto control system
- 1 set of air filter, fuel filters & oil filters included
- Main line circuit breaker/MCCB by CHNT
- Base mounted fuel tank
- Twin Varta batteries
- Low noise exhaust system with rain flap
- User manual
- Battery charger
- Engine coolant heater

## Options

- Alternator heater (Built to order - P.O.A)
- Water oil separator (Built to order - P.O.A)
- 24/48h long run bunded fuel tank (Built to order - P.O.A)
- 3-way fuel valves for remote fuel tank (UK fitted - P.O.A)
- Remote control panel (UK fitted - P.O.A)
- Automatic transfer switch/ATS (UK fitted - P.O.A)
- Paralleling multiple sets (Built to order - P.O.A)

## Warranty\*

### Cummins Engine

12 months for prime power use (1200h per year)\*

24 months for standby use (500h per year)\*

\* Full engine service intervals to be adhered to.

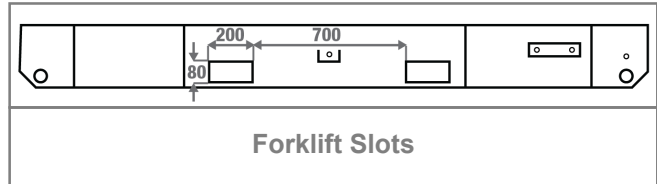
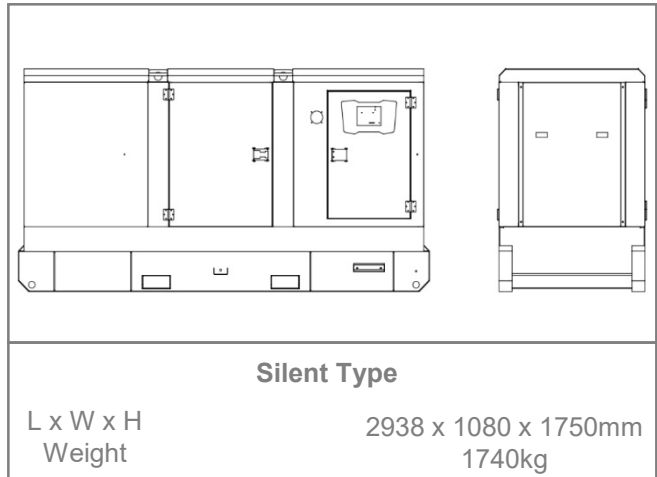
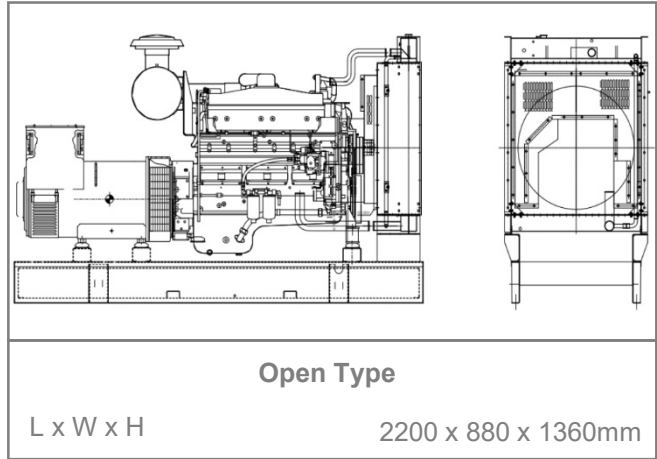
### Genpower Alternator

36 Months from date of purchase or 3000 hours

### Generator general components

12 months

## Unit Dimensions (Basic Unit)



\*Interest free finance available subject to status



Manufacturer reserves the right to make changes in model, technical specification, colour, equipment and accessories without notice.

Distributed Worldwide by Genpower Ltd, United Kingdom.